

Tower Strobe

Strobe / Illumination Light Wiring Instructions

The following instructions are for wiring the beacon/strobe light on top of TW-Series towers, as well as wiring the panel light located above the station mounting hole.

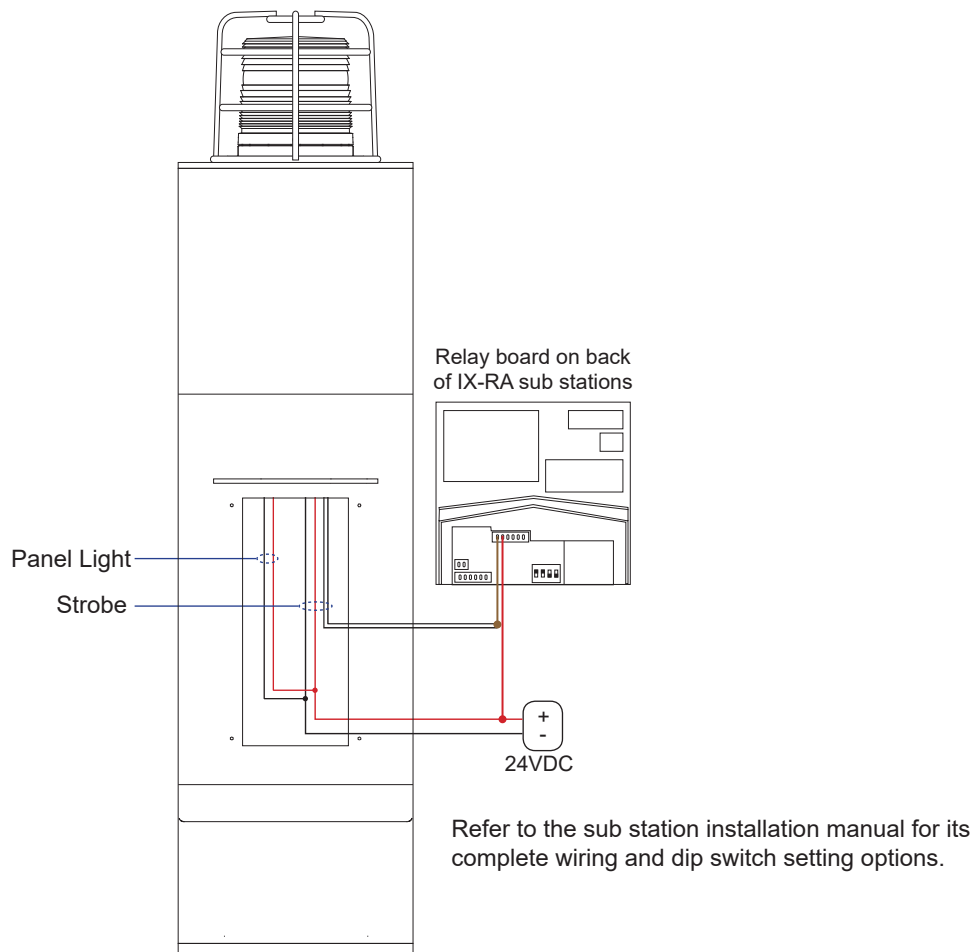
These instructions apply to models: TW-LCB, TW-LCK, TW-LCR, TW-LCW, and TW-LCY.

Locate the beacon/strobe wires and connect to a 24V DC power supply.

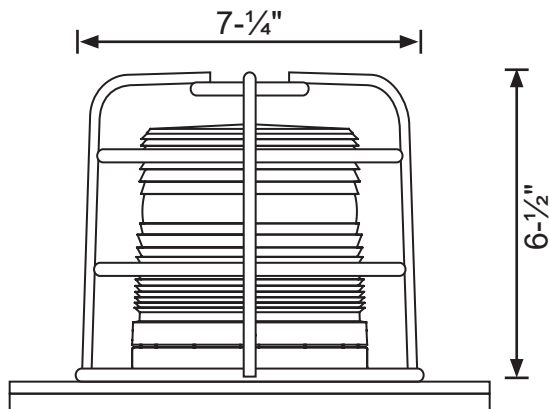
- Red to +24V DC
- Black to - (Ground)
- Connect the white trigger wire to one side of a Normally Open (NO) relay on the emergency sub station. Connect the other side of the Normally Open (NO) relay to the positive of the 24V DC power supply.

Locate the panel light wires and connect to a 24V DC power supply.

- Red to +24V DC
- Black to - (Ground)



SPECIFICATIONS:



Beacon / Strobe:

Voltage: 24V DC
Current: 300 mA
144 mA @ 24VDC in steady state mode
272 mA @ 24VDC in flashing mode

Light source: LED
Luminous output: 247 lm

Wiring: Black: Ground
Red: +24V DC
White: Trigger (+24V DC)

Wiring Distance: 18awg, 980'

Operating temp: -40°F to 149°F

Panel light:

Voltage: 24V DC
Current: 24 mA

Light source: LED
Luminous output: 100 lm

Wiring: Black: Ground
Red: +24V DC

Wiring Distance: 18awg, 980'

Operating temp: -40°F to 149°F