



Grade 1 Cylindrical Smartlock

Part Number: VPSLCS1

Installation Instructions



Before You Begin

The VIZpin Smartlock can only be installed on a door:

- That is between 1 $\frac{3}{8}$ " and 2" thick
- That has a 2 $\frac{1}{8}$ " door prep
- That has 2 $\frac{3}{4}$ " or 2 $\frac{3}{8}$ " backset

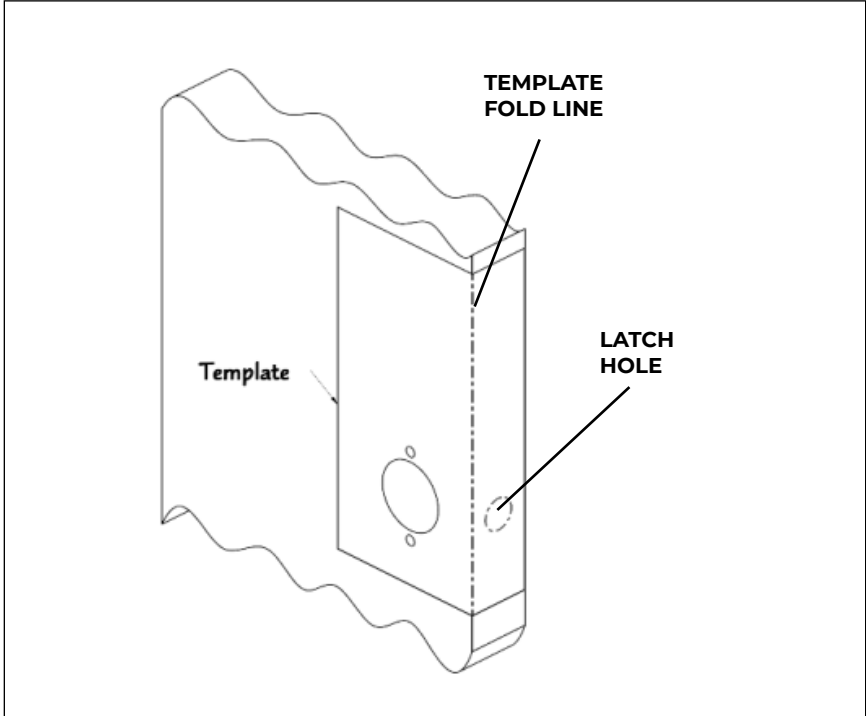
A. Checklist

1. Four (4) AA Alkaline Batteries - Not Included
2. #2 Philips Head Screwdriver
3. 5/16" Drill Bit – Only required for ANSI Grade 1 Installation

B. ANSI GRADE 1 Installation ONLY

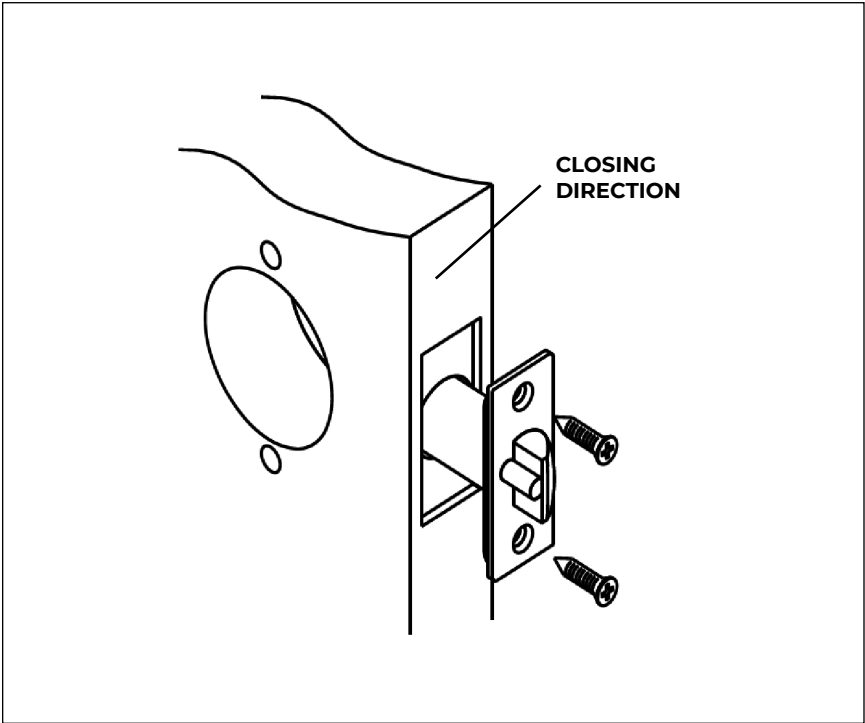
***** IF ANSI GRADE 1 IS NOT REQUIRED, SKIP TO SECTION C *****

1. Determine which Backset fits your installation.
(2 ³/₈" [60mm] **or** 2 ³/₄" [70 mm]).
2. Fold installation template, place it on the door and mark the holes.
3. Drill the two 5/16" (8mm) holes for the mounting screws and securing.



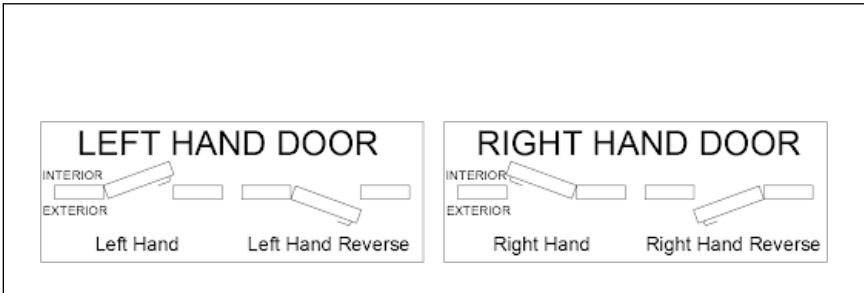
C. Latch Installation

Ensure the latch bolt bevel faces the closing direction and secure the latch to the door using two #8 x 3/4" screws.

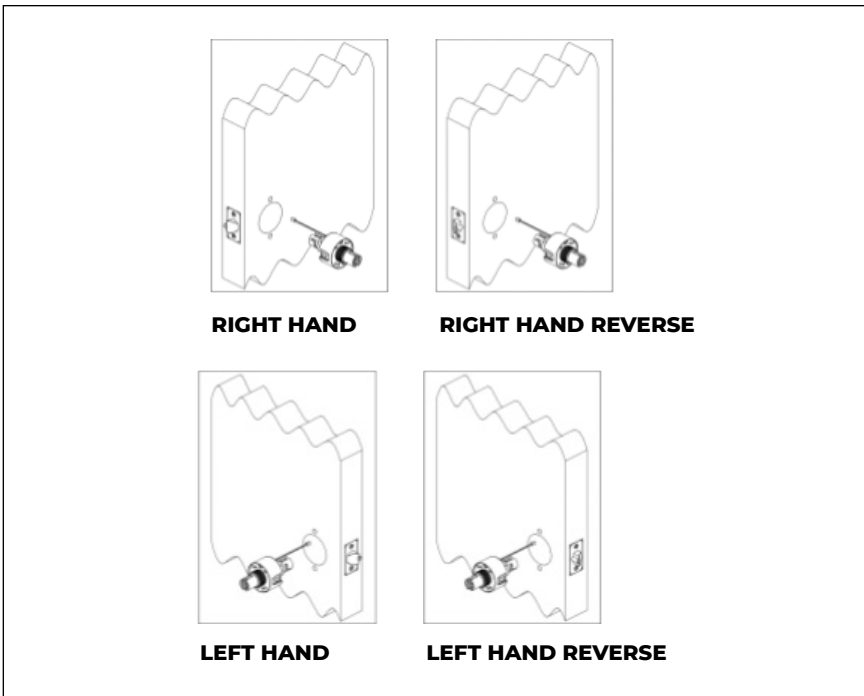


D. Lock Handing

1. Determine the direction of your door. **Default is for a right hand door.**



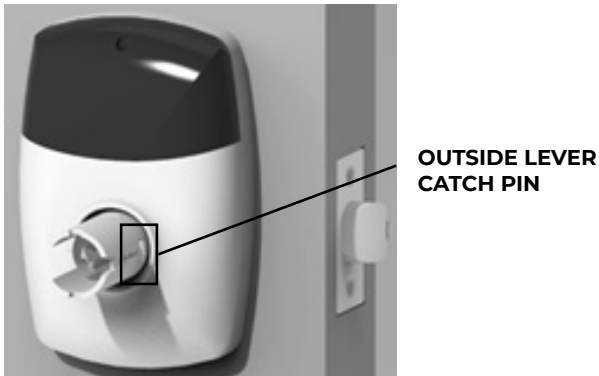
2. Install the Lock Body Assembly using the correct diagram below.



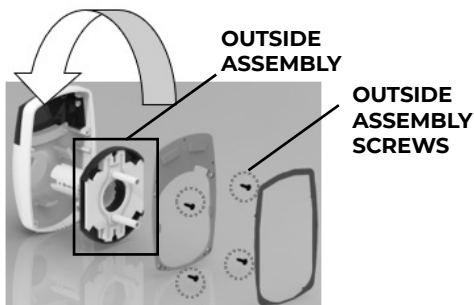
E. To Change Direction to a Left Hand Door

***** IF YOU HAVE A RIGHT HAND DOOR SKIP TO SECTION F *****

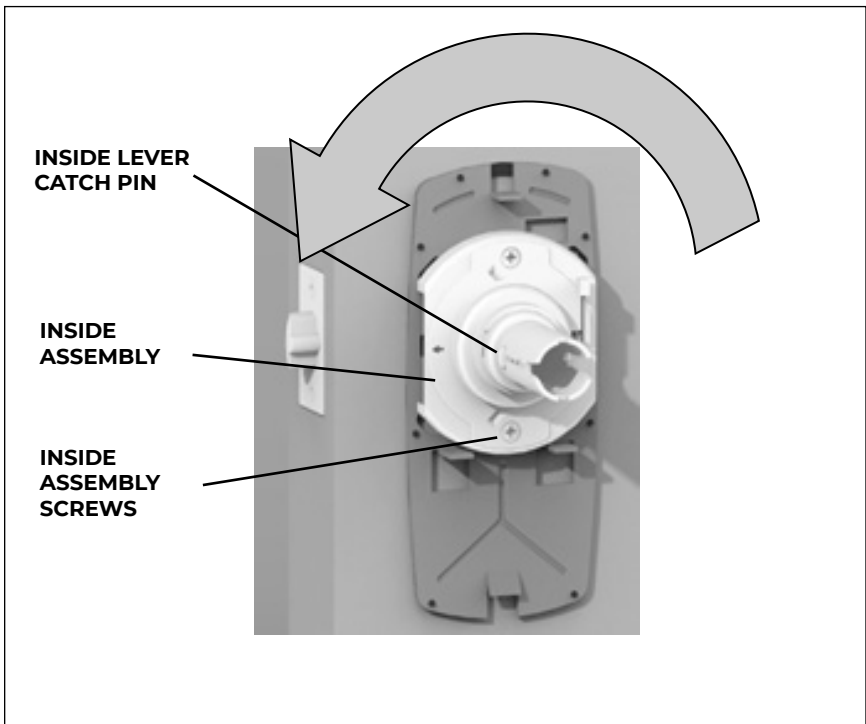
1. Remove the outside lever using the Outside Lever Catch Pin.



2. Remove the four (4) Outside Assembly Screws and take out the assembly.

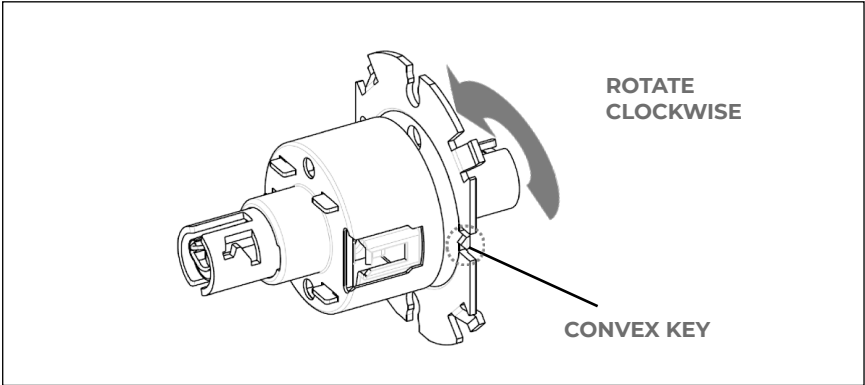


1. Rotate the Outside Assembly 180 degrees.
2. Replace the four (4) Outside Assembly Screws.
3. Remove the inside lever using the Inside Lever Catch Pin.
4. Remove the two (2) Inside Assembly screws and take out the Inside Assembly.
5. Rotate the Inside Assembly 180 degrees.
6. Replace the two (2) Inside Assembly Screws.

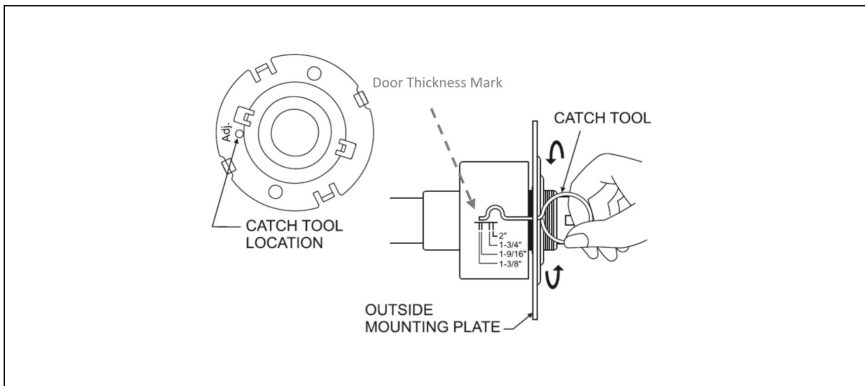


F. Adjust for Door Thickness

1. Make sure the convex key is facing the door and install the Outside Mounting Plate on lock body by rotating clockwise.



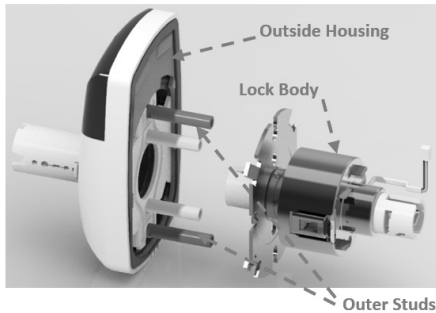
2. Set the Catch Tool to the appropriate position on the Door Thickness Mark.
3. Rotate the Outside Mounting Plate to the appropriate door thickness using Catch Tool.



G. Install Lock Housing

***** IF THIS IS NOT AN ANSI GRADE 1 INSTALLATION, REMOVE THE OUTER STUDS *****

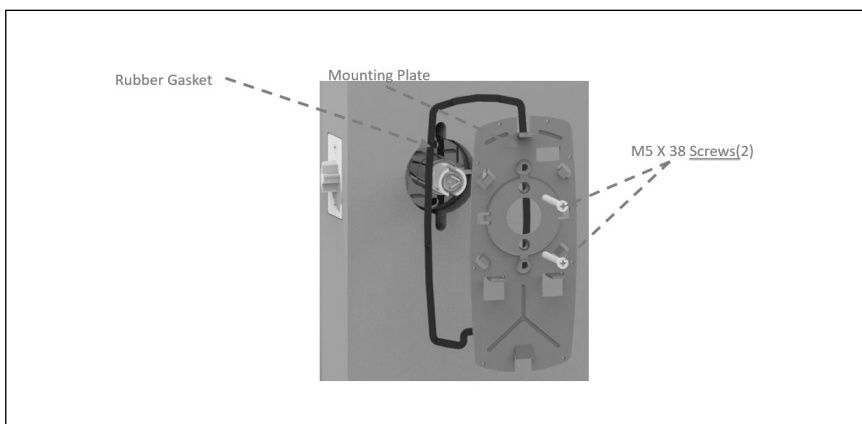
1. Mount the Lock Body to the Outside Housing.



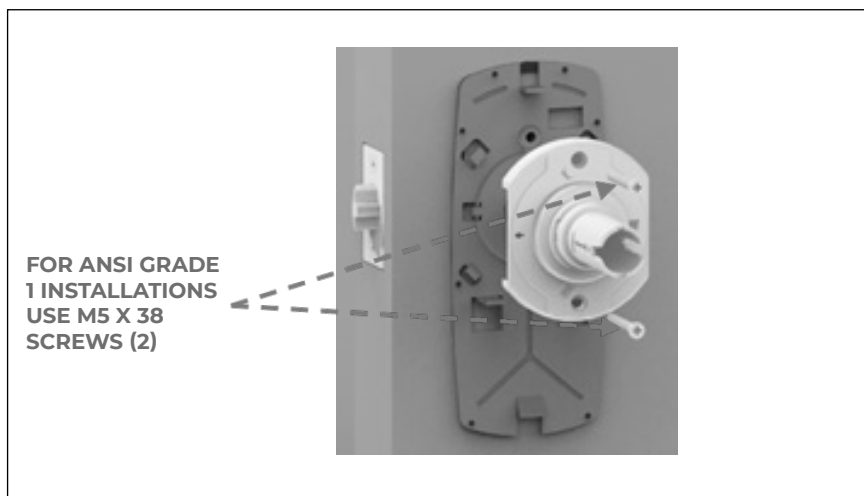
2. Insert the Outside Housing Assembly in the door.



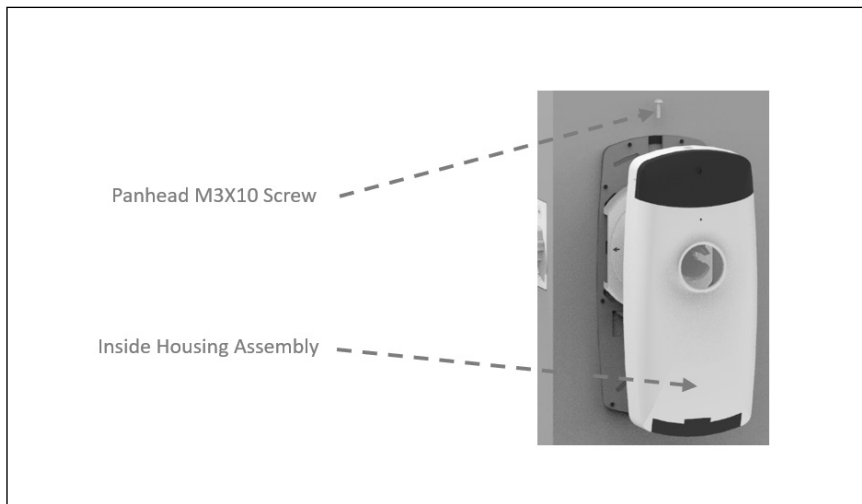
3. FOR ANSI Grade I Installations only, attach the Mounting Plate to the outer Studs.
4. Make sure the Mounting Plate is aligned with the vertical center line and install it using two M5x38 screws.



5. Make sure direction is correct and attach using the two M5x38 screws.



6. Install the Inside Housing Assembly to Mounting Plate using one Panhead M3X10 Screw.



7. Install inside and outside Levers.
8. Install four (4) AA alkaline batteries in the Battery Case.
9. Install the Battery Case using a flathead M4x12 screw.

